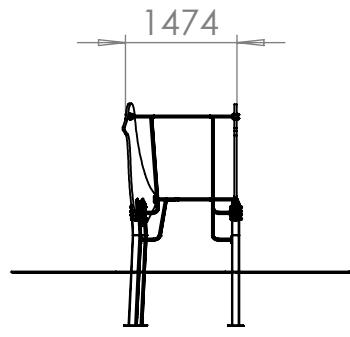
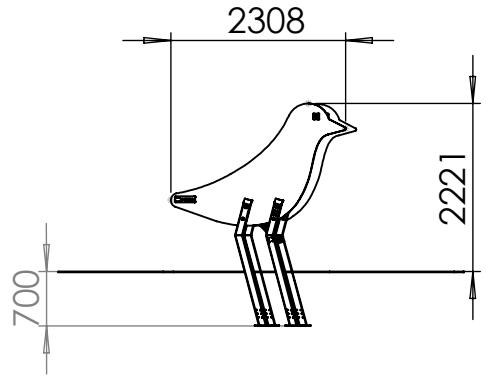


4 3 2 1

F

F

TUOTTEEN ÄÄRIMITAT

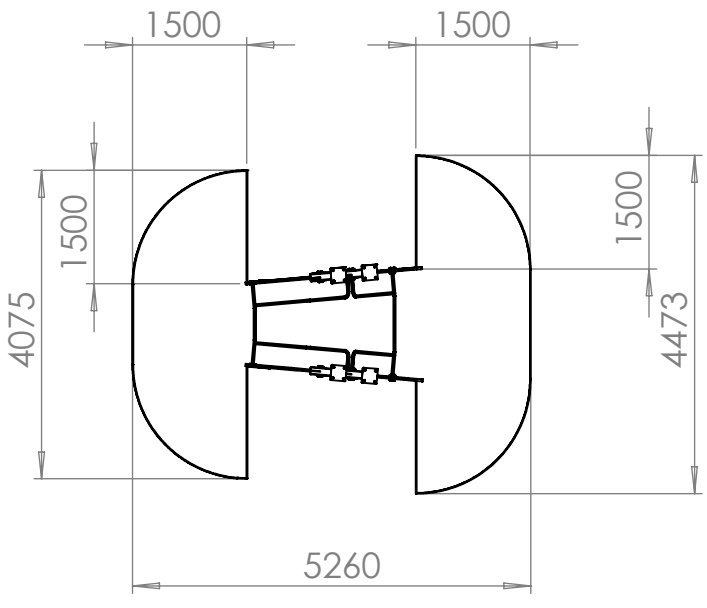


E

E

D

D



TURVA-ALUEEN MITAT

C

C

B

B

UNLESS OTHERWISE SPECIFIED:
DIMENSIONS ARE IN MILLIMETERS
SURFACE FINISH:
TOLERANCES:
LINEAR:
ANGULAR:

FINISH:

DEBURR AND
BREAK SHARP
EDGES

DO NOT SCALE DRAWING

REVISION

	NAME	SIGNATURE	DATE	
DRAWN				
CHK'D				
APPV'D				
MFG				
Q.A				

TITLE:

MATERIAL:

DWG NO.

GRITBIRD ÄÄRIMITAT JA
TURVA-ALUEEN MITAT

A4

WEIGHT:

SCALE:1:100

SHEET 1 OF 1

A

A

4 3 2 1